



**Permit Application for
Culvert Installation on
County Road, Right of Way or Easement**

Permit No.: _____
Rec'd Date: _____
Decision: _____
Signature: _____
Comments: _____

Lubbock County Public Works
P.O. Box 10536
Lubbock, Texas 79408
Publicworks@lubbockcounty.gov
Phone. 806.775.1664

*Pursuant to §251.016 The Commissioners Court may
exercise general control over all roads in the county.*

Section 1: Applicant Information

A. Applicant: _____
Address: _____

Phone: _____
Email: _____

Section 2: Culvert Details (Location)

A. Location of Request: Please attach a map indicating the location of the installation

Address: _____
Location: _____
Latitude _____ Longitude: _____

B. Size of culvert: _____
Material of culvert: _____
C. Reason for request: _____

Section 3: Acknowledgement and Agreement to Requirements

If permission is granted, I agree to purchase a culvert in compliance with the Lubbock County Culvert Policy. Installation must meet Lubbock County approval.

1. Owner will install Safety End Treatments in accordance with the Lubbock County's Culvert policy
2. Owner is responsible for keeping culverts clean and free flowing.
3. Owner is responsible for clearing weeds and vegetation so culverts can be seen by motor grader operators.
4. Lubbock County is not responsible for any damages to the culvert or any damages caused by the culvert.

Signature of Applicant

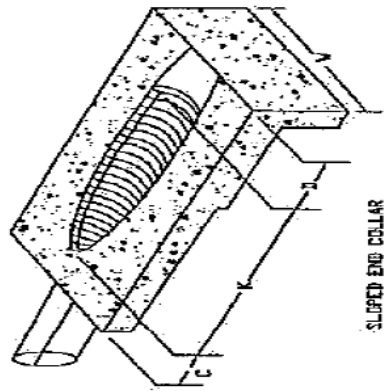
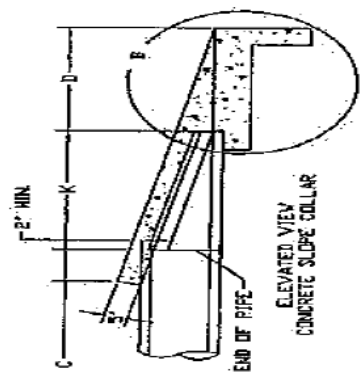
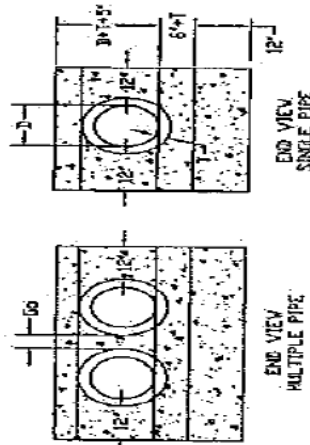
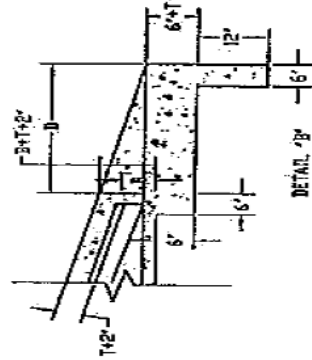
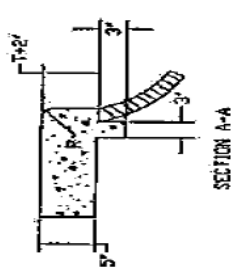
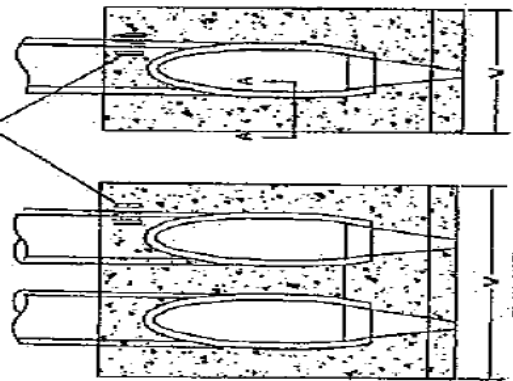
Date

Lubbock County Culvert Policy

- A. A permit form the Lubbock County Public Works Department will be required for any culvert or other structure to be placed within Lubbock county Right of Way. There will be no charge for this permit.
- B. Culvert types and sizes must be approved by Lubbock County Public Works Department prior to their placement. The property owner is responsible for placing a stake to identify the proposed location of the culvert. A representative of

Lubbock County Public Works will inspect the site to make determinations on the structure and its placement/location according to our requirements.
- C. Safety End Treatments must be installed on both ends of the culvert in accordance with the attached guidelines.
- D. Lubbock County will not sell or deliver culverts for private or commercial use. All persons needing a culvert installed must acquire culverts for themselves and have them delivered to the site where they are to be installed.

12" CENTERS NO. 3 BAR REINF.
IN RIPRAP SLOPE COLLAR

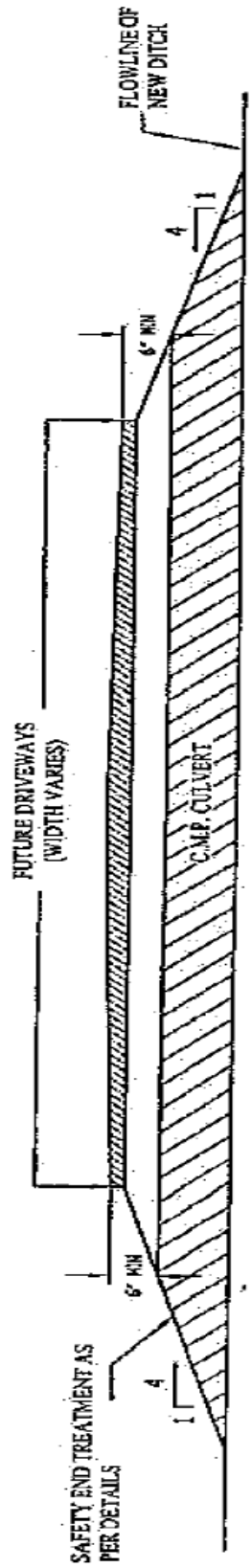


QUANTITIES FOR ONE CONCRETE SLOPED END COLLAR

SLOPE OF PIPE	PIPE WALL THICKNESS		G ₆	W	S	C	X	D	CLASS A CONCRETE
	I	ON							
15	2"			3'-7"	6"	1'-0"	3'-8"	2'-8"	0.7
18	2 1/4"			1'-10"	6"	1'-0"	4'-10"	2'-8"	0.8
21	2 1/2"			4'-2"	6"	1'-0"	5'-11"	2'-8"	1.1
24	2 3/4"			4'-5 1/2"	9"	1'-0"	8'-0"	3'-8"	1.3
30	3 1/4"			5'-1"	9 1/2"	1'-0"	8'-0"	3'-10"	1.5
36	4"			5'-8"	10"	1'-0"	10'-0"	4'-0"	1.7
2-15	2"	0'-6"		3'-8"	6"	1'-0"	3'-8"	2'-8"	1.0
2-18	2 1/4"	0'-9"		6'-6"	6"	1'-0"	4'-10"	2'-8"	1.3
2-24	2 3/4"	0'-11"		7'-4"	9"	1'-0"	6'-0"	3'-8"	1.7
2-30	3 1/4"	1'-1"		9'-3"	9 1/2"	1'-0"	8'-0"	3'-10"	2.4
2-36	4"	1'-3"		10'-7"	10"	1'-0"	10'-0"	4'-0"	3.3

SAFETY END TREATMENT TYPE II SLOPED END COLLARS

NOT TO SCALE



**TYPICAL DRIVEWAY & CULVERT
CROSS SECTION**

NOT TO SCALE